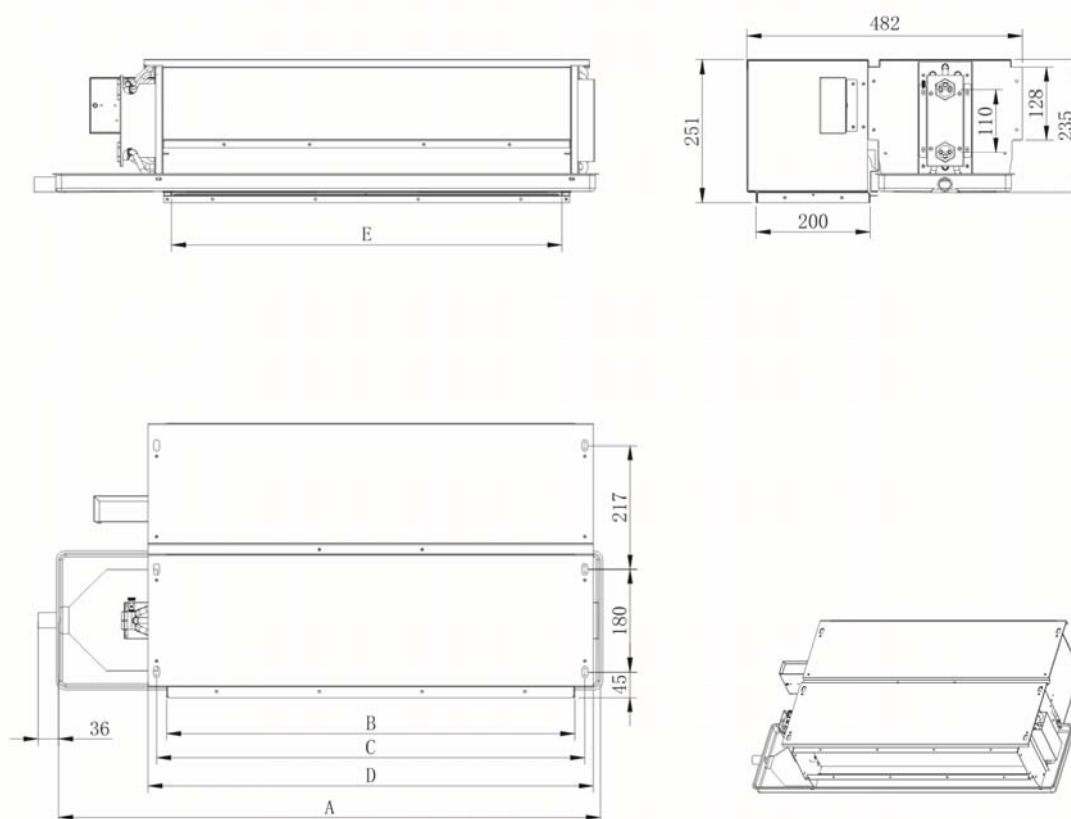


فن کویل سقفی توکار



- ۱- بدنه ساخته شده از ورق گالوانیزه
- ۲- سینی تخلیه درین از جنس گالوانیزه (ضد زنگ و خوردگی)
- ۳- فیلتر قابل شستشو
- ۴- دارای کویل سه ردیفه
- ۵- نصب و نگهداری آسان

Installing dimension



MODEL	LRN-34WA	LRN-51WA	LRN-68WA	LRN-85WA	LRN-102WA	LRN-136WA	LRN-170WA	LRN-204WA	LRN-238WA
A	755	855	955	1080	1175	1460	1650	1915	2150
B	515	615	715	840	935	1220	1410	1675	1910
C	550	650	750	875	970	1255	1445	1710	1945
D	580	680	780	905	1000	1285	1475	1740	1975
E	485	585	685	810	905	1190	1380	1645	1880

▶ Ceiling Concealed duct type fan coil unit (2 pipe system)

Model		LRN	34WA	51WA	68WA	85WA	102WA	136WA	170WA	204WA	238WA		
power supply			220V,50Hz,1Ph										
Air Flow		H	CFM	200	300	400	500	600	800	1,000	1,200	1,400	
				340	510	680	850	1020	1360	1700	2040	2380	
		M	m3/h		270	380	515	660	765	1040	1280	1550	1800
				L	190	260	340	430	530	710	860	1050	1280
Cooling Capacity		H	TH	btu/h	6,142	9,212	12,283	15,354	18,425	24,566	30,708	36,850	42,991
					SH	4,575	6,865	9,151	11,440	13,726	18,302	22,877	27,453
		M	TH	btu/h	4,975	7,462	9,949	12,437	14,924	19,899	24,873	29,848	34,823
					SH	3,931	5,896	7,861	9,827	11,788	15,719	19,650	23,580
		L	TH	btu/h	3,869	5,804	7,738	9,673	11,608	15,477	19,346	23,215	27,084
					SH	3,173	4,760	6,346	7,933	9,519	12,693	15,862	19,036
Heating Capacity		H	M	btu/h	9,212	13,819	18,425	23,031	27,637	36,850	46,062	55,274	64,487
					9,243	10,642	14,187	17,736	21,281	28,374	35,468	42,561	49,655
					L	5,575	8,359	11,147	13,935	16,722	22,294	27,869	33,441
Noise		12Pa	30Pa	dB	35	36	38	40	43	44	45	46	49
					39	41	43	45	48	49	50	52	54
Fan		Quantity		1	2			4					
Fan Motor		Type		No Oiling Type High Precision Bearing 3-Speed Capacitor									
		Quantity		1				2					
Power Input		12Pa	30Pa	W	34	41	59	73	91	118	146	182	216
					41	54	65	82	98	132	168	206	247
Water Flow Volume		m ³ /h		0.31	0.46	0.62	0.77	0.93	1.23	1.54	1.85	2.16	
Water Pressure Drop		Kpa		7	15	18	23	28	30	30	30	36	
Coil		Type		high efficient copper pipe to wear Hydrophilic aluminum coil									
		Rows		3									
Coil Dimension		mm2		615*200	715*200	840*200	935*200	1220*200	1410*200	1675*200	1910*200		
Tube Pitch×Row Pitch				25*22									
Diameter × Thickness		mm		Φ9.52*0.3									
Fin spacing		mm		2.2									
Fins per inch(25.4mm)		Pcs		12									
Max.Working Pressure		Mpa		1.6									
Water Tube connection (in/out)		in		ZG3/4" / GZ3/4"									
Dimension of Water drain pipe		in		3/4"(External thread)									
Net Dimension		L×W×H		mm	755*482*248	855*482*248	955*482*248	1080*482*248	1175*482*248	1460*482*248	1650*482*248	1915*482*248	2150*482*248
Net Weight		kg		15.4	18	20	22	24	32	36	40	45	

1. Cooling condition: Inlet air temp. DB=27°C, inlet air temp. WB=19.5°C, inlet water tw=7°C.

2. Heating condition: Inlet air temp. DB=21°C, inlet water tw=60°C.

► Ceiling Concealed duct type fan coil unit (4 pipe system)

Model (4-tube system)			LRN -34WA4	LRN -51WA4	LRN -68WA4	LRN -85WA4	LRN -102WA4	LRN -136WA4	LRN -170WA4	LRN -204WA4	LRN -238WA4		
Power supply			220V,50HZ,1PH										
Air volume	H	m ³ /h	340	510	680	850	1020	1360	1700	2040	2380		
	M		270	380	515	660	765	1040	1280	1550	1800		
	L		190	260	340	430	530	710	860	1050	1280		
Static pressure		Pa	12(30)	12(30)	12(30)	12(30)	12(30)	12(30)	12(30)	12(30)	12(30)		
Cooling capacity	TH	H	W	1800	2700	3600	4500	5400	7200	9000	10800	12600	
			BTU/h	6142	9212	12283	15354	18425	24566	30708	36850	42991	
			SH	W	1341	2012	2682	3353	4023	5364	6705	8046	9387
	SH	M	BTU/h	4575	6865	9151	11440	13726	18302	22877	27453	32028	
			TH	W	1458	2187	2916	3645	4374	5832	7290	8748	10206
			SH	W	1152	1728	2304	2880	3455	4607	5759	6911	8063
	TH	L	W	1134	1701	2268	2835	3402	4536	5670	6804	7938	
			SH	W	930	1395	1860	2325	2790	3720	4649	5579	6509
			Heating capacity		W	H	1080	1620	2160	2700	3240	4320	5400
M	832	1248	1663	2079		2495	3326	4158	4990	5821			
L	654	980	1307	1634		1960	2614	3267	3920	4574			
Noise	High speed	12Pa	35	36	38	40	43	44	45	46	49		
		30Pa	39	41	43	45	48	49	50	52	54		
Power input	High speed	12Pa	34	41	59	73	91	118	146	182	216		
		30Pa	41	54	65	82	98	132	168	206	247		
Waterflow volume	High speed	Cooling tube	0.31	0.46	0.62	0.77	0.93	1.23	1.54	1.85	2.16		
		Heating tube	0.12	0.18	0.25	0.31	0.37	0.49	0.62	0.74	0.86		
Pressure dropping	Cooling tube	kPa	7	15	18	23	28	30	22	30	36		
		Heating tube	2.8	6	7.2	9.2	11.2	12	8.8	12	14.4		
Water tube connection(inlet)	Cooling/heating tube		ZG3/4*	ZG3/4*	ZG3/4*	ZG3/4*	ZG3/4*	ZG3/4*	ZG3/4*	ZG3/4*	ZG3/4*		
Water tube connection(outlet)	Cooling/heating tube		ZG3/4*	ZG3/4*	ZG3/4*	ZG3/4*	ZG3/4*	ZG3/4*	ZG3/4*	ZG3/4*	ZG3/4*		
Coil		Type	Hydrophilic aluminum fin to wear copper tube										
Maximum working pressure		MPa	1.6	1.6	1.6	1.6	1.6	1.6	1.6	1.6	1.6		
Condensation pipe size (diameter)		mm	DN20(External thread)										
Net dimension	L × W × H	mm	755 × 482 × 235	855 × 482 × 235	955 × 482 × 235	1080 × 482 × 235	1175 × 482 × 235	1460 × 482 × 235	1650 × 482 × 235	1915 × 482 × 235	2150 × 482 × 235		
Net weight		kg	17	19	21	24	25	35	38	43	48		